

Datasheet

360° PIR Movement Sensor

CAT. NO. 630R01WE, 630R01BL



A brand of **legrand**



630R01WE



630R01BL

Cat. No.	630R01WE	630R01BL
Colour	White	Black
Description	360° PIR Movement Sensor	
Input Voltage	230-240V a.c. 50Hz	
Standby Power	<1.0 W	
Detection Range (ceiling height 4m)	Ø6m	
Detection / View Angle	360°	
Manual Override	No	
Time Delay	10 sec to 15 min (approx.)	
Max. Lighting Load	300VA (LED and CFL), 400VA (Fluo.) or 800W (Incandescent)	
Lux Adjustment Range	3 to 2000 lux	
Operating Temperature	-5°C to +45°C	
Recommended Mounting Height	2.2 to 4.0m	
Terminal Wiring Size	1 x 2.5mm ² to 2 x 1.5mm ²	
Cut-out Size	Ø40 mm	
Fascia Size	Ø50 mm	
IP Rating	IP20	

360° PIR Movement Sensor

CAT .NO. 630R01WE, 630R01BL



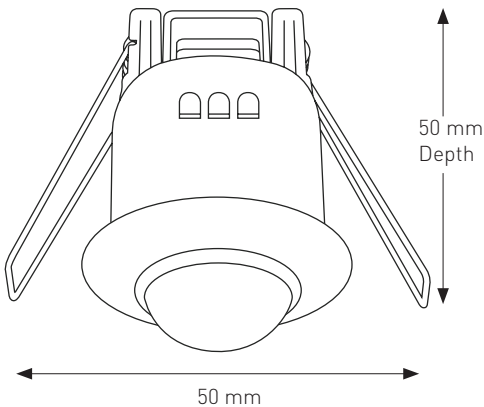
A brand of **legrand**



FEATURES

- Small footprint
- Quick and easy mounting
- Detection range $\varnothing 6m$
- 360° detection angle
- Adjustable time-delay and lux level
- Energy saving lighting management solution
- Ideal for bathrooms, wardrobes, garages and hallways

DIMENSIONS



Single product			
Cat. No.	Single Barcode	Dimensions (H x W x D)	Weight
630R01WE	9321001456797	102 x 83 x 71 mm	0.160kg
630R01BL	9321001526520		

Outer box (Qty 50)			
Cat. No.	Single Barcode	Dimensions (H x W x D)	Weight
630R01WE	9321001456834	225 x 440 x 395 mm	8.0kg
630R01BL	9321001526537		

Legrand - Australia
1300 369 777
www.hpm.com.au
ABN 31 000 102 661

Legrand - New Zealand
0800 476 009
www.hpm.co.nz

Refer to your group buying office, Legrand Sales Representative or Legrand Sales Office for pricing.

Please note: specifications are subject to change without prior notice.

LE15484AA



01/2025